

### (Unit LHD 3.5)

#### (PERFORMANCE)

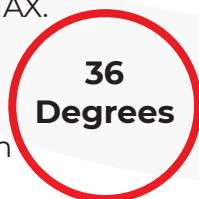
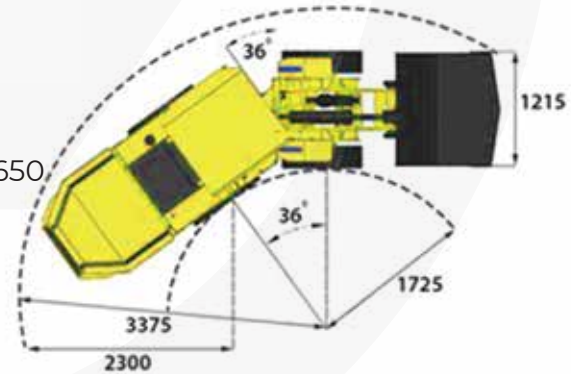
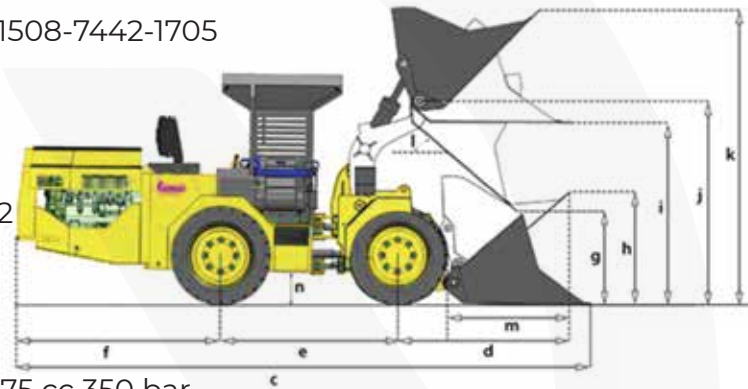
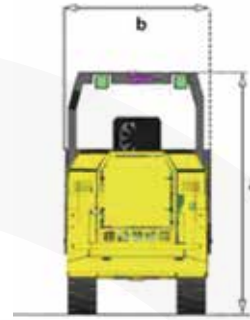
- BUCKET CAPACITY m<sup>3</sup> 1,5
- LOADING CAPACITY KG 3500
- OPERATING WEIGHT KG 10000
- SPEED km/hr 0-22 MAX.
- GRADEABILITY (°) 20
- ARTICULATION-STEERING (°) ±42°
- ARTICULATION-OSCILLATION (°) ±6°
- DIMENSION (WIDTH-LENGTH-HEIGHT) mm 1508-7442-1705
- TIRES 12-20

#### (ENGINE)-(Unit LHD 3.5)

- ENGINE (STANDARD) DEUTZ / D914L6
- ENGINE POWER 74.9 kw @2300 RPM
- FUEL TYPE DIESEL DISPLACEMENT cm<sup>3</sup> 6472
- CYLINDER 6 COOLING SYSTEM AIR
- HYDRAULIC SYSTEM (REXROTH BOSCH)
- DRIVE PUMPS 110 cc Pump 400 bar
- DRIVE MOTOR 120 cc +120 cc
- Pump 400 bar BOOM AND BUCKET PUMPS 75 cc 350 bar
- DIRECTIONAL PUMP 80 lt/min
- FAN DRIVER PUMP 14 cc 150 bar
- BRAKE PUMP 11 cc 145 bar
- OPERATION JOYSTICK BRAKES
- HYDROSTATIC BRAKE SYSTEM
- TRANSMISSION REVERSIBLE
- HYDROSTATIC TRANSMISSION WITH VARYING OUTPUT
- BRAKE PARK BRAKE + SERVICE BRAKE AXLES (COMER)
- MANUFACTURER KESSLER MODEL D71PL478-NLB
- TRANSFER BOX MANUFACTURER KESSLER MODEL W1650
- FUEL TANK L 140
- HYDRAULIC OIL L 115
- ENGINE OIL L 18

#### (DIMENSIONS)

- \*HEIGHT TO TOP OF CAB (a) 1900 mm
- \*WIDTH OVER WHEELS (b) 1588 mm
- \*TOTAL LENGTH (c) 7610 mm MAX.
- \*DUMP HEIGHT (g) 878 mm
- \*HIDGE PIN HEIGHT at MAX.
- \*LIFT (j) 1945 mm MAX.
- \*OVERALL HEIGHT (k) 3300 mm
- \*DUMP ANGLE (l) 41 (°)
- \*GROUND CLEARANCE (n) 255



Articulation  
Steering



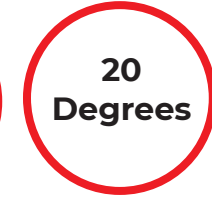
Diesel



Hydraulic  
System



Loading  
Capacity



Gradeability

### (UNIT LHD 1.2)

#### (GENERAL)

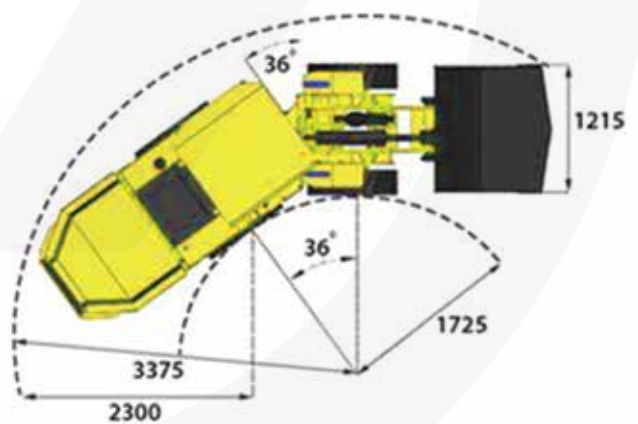
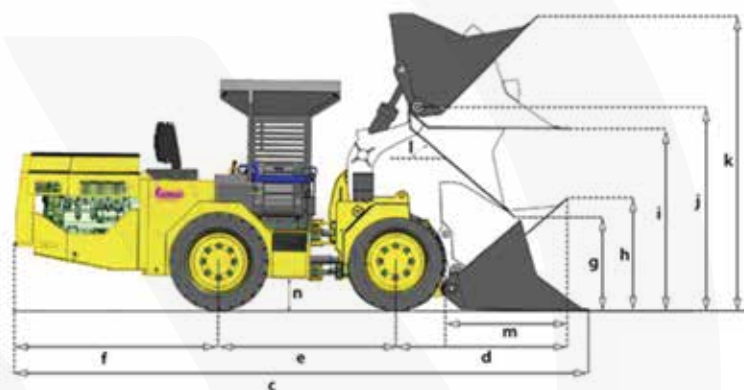
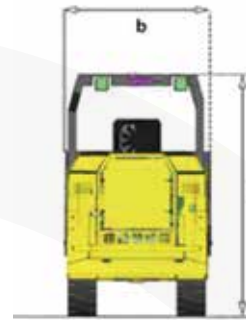
- BUCKET CAPACITY 0.55 M<sup>3</sup>
- LOADING CAPACITY 1200 KG
- OPERATING WEIGHT 4080 KG
- ENGINE (STANDARD)-DEUTZ / D914L4
- ENGINE POWER-78HP-58 kW @ 2300RPM
- FUEL TYPE-DIESEL
- DISPLACEMENT-4300 cm<sup>3</sup>
- CYLINDER-4
- COOLING SYSTEM-AIR
- BRAKES-HYDRASTATIC BRAKE SYSTEM
- AXLES (COMER)-FRONT AND REAR AXLES
- TIRES-8,25 × 15
- BATTERY-12V - 105A
- SPEED-0-8 km/hour
- MAX. GRADEABILITY-20°
- ARTICULATION STEERING ANGLE-±36°
- ARTICULATION OSCILLATION ANGLE
- OPERATION-JOYSTICK
- FUEL TANK-54 lt

#### (HYDRAULIC SYSTEM) (BOSCH REXTROTH)

- DRIVE PUMPS- 63 cc Pump 340 bar
- DRIVE MOTOR- 63 cc Pump 400 bar
- BOOM AND BUCKET PUMPS-32 cc 180 bar

#### (DIMENSIONS)

- HEIGHT TO TOP OF CAB (a) 1920 mm
- WIDTH OVER WHEELS (b) 1200 mm
- TOTAL LENGTH (c) 5140 mm MAX.
- DUMP HEIGHT (g) 590 mm
- HIDGE PIN HEIGHT at MAX.
- LIFT (j) 1530 mm MAX.
- OVERALL HEIGHT (k) 2360 mm
- DUMP ANGLE (l) 42 (°)
- GROUND CLEARANCE (n) 215 mm



Articulation  
Steering



Diesel



Hydraulic  
System



Loading  
Capacity



Gradeability