

### (Unit MT100)

#### (PERFORMANCE)

- LOADING CAPACITY KG 4000
- OPERATING WEIGHT KG 3260
- SPEED km/hr 0 -8 MAX.
- GRADEABILITY (°) 20°

#### (ENGINE)

- ENGINE (STANDARD) KUBOTA V3800-DI-TE
- ENGINE POWER 100HP-72,8kW @ 2600RPM
- FUEL TYPE DIESEL DISPLACEMENT cm<sup>3</sup> 3769
- CYLINDER 4
- COOLING SYSTEM LIQUID
- HYDRAULIC SYSTEM (REXROTH BOSCH)
- DRIVE PUMPS 45 cc + 45 cc Tandem Pump 320 bar
- OPERATION-JOYSTICK
- BRAKES-HYDROSTATIC BRAKE SYSTEM

#### (CAPACITIES)

- FUEL TANK-lt 54
- HYDRAULIC OIL-lt 100
- ENGINE OIL-lt 10
- ELECTRIC SYSTEM BATTERY-12V - 105A
- NO ELECTRONIC COMPONENTS

#### (TIRES)

- TIRES 12 × 16,5 STANDARD
- RIM 12 × 16,5

(DUMPER CAPACITY)-m<sup>3</sup> 2

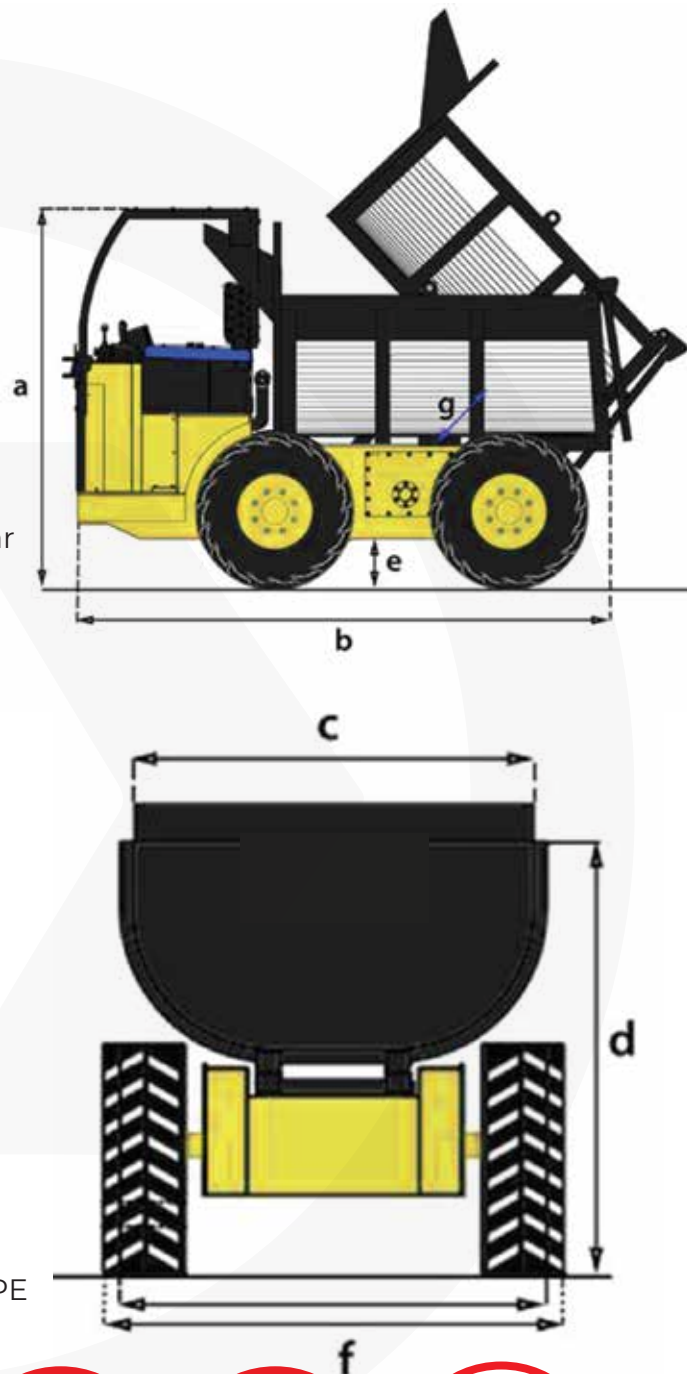
- HEIGHT TO TOP OF CAB (a) mm 1870
- TOTAL LENGTH (b) mm 3000
- DUMPER WIDTH (c) mm 1480
- DUMPER HEIGHT (d) mm 1600
- GROUND CLEARANCE (e) mm 270
- WIDTH OVER WHEELS (f) mm 1580-1770
- DUMP ANGLE (g) (°) 50°

(TIRE OPTIONS)

- EBAT TUBETYPE STANDARD TIRE 12X16.5 TUBETYPE

#### (STANDARD EQUIPMENT)

- FRONT HEADLIGHTS
- HORN
- JOYSTICK CONTROL
- HYDROSTATIC TRANSMISSION
- HYDAULIC OIL COOLER
- THREE STAGE AIR CLEANERS
- FUEL AND WATER SEPERATOR
- HYDRAULIC PARKING BRAKE



**100 HP**

Diesel

**Rexroth  
Bosch**

Hydraulic  
System

**4 TONS**

Loading  
Capacity

**20  
Degrees**

Gradeability